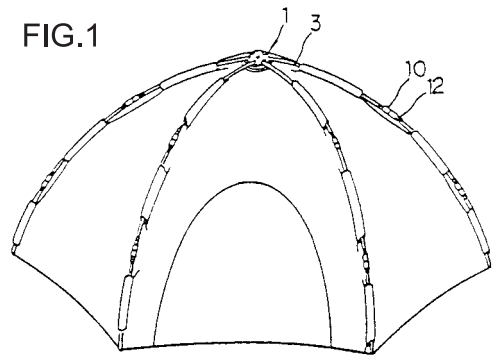


REPLACEMENT OF POLE

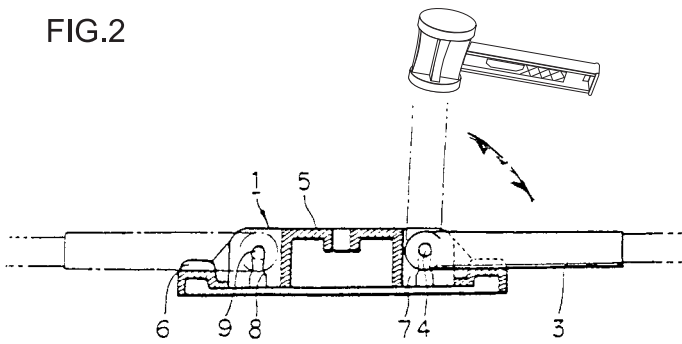
step-1 Removing broken poles from the tent

Release the elastic band under the upper locking joint from the hook at the upper locking joint (**10 of Fig.1**) and release clip from the pole. Open the upper sleeve and remove pole from the tent. The upper pole sleeves are opened/closed in the way of velcro attachment. Then release the upper locking joint (**10**) and release the plastic pole holder at the bottom of the pole from the web strap at the corner of the tent.



step-2 Remove broken pole from the center hub

FIG.2



The broken pole is removed from the molded ring plate at the top of tent. This is achieved by pushing the broken pole vertical or perpendicular to the ring plate until unseating the pole tip (**FIG. 2**) from the socket (**9**) (If the pole tip will not unseat easily from the socket, hammer the pole end gently), twisting the pole 90 degrees and pulling the pole up through the ring plate.

(Note : Place some paddings while, hammering, to protect pole end and tent skin)

step-3 Replacing new pole

Replacing new pole is the reverse of removing step. Push the new pole into the ring plate, twist 90 degrees (**FIG. 3**), pull up the pole unto the socket (**9**) inside the ring plate (**FIG. 4**) and seat the pole tip in the socket (**FIG. 5**). Connect the bottom pole holder to the webstrap. Snap the upper locking joint, close the upper pole sleeve, attach the clip to the pole. Connect the elastic band with the hook under the upper locking joint.

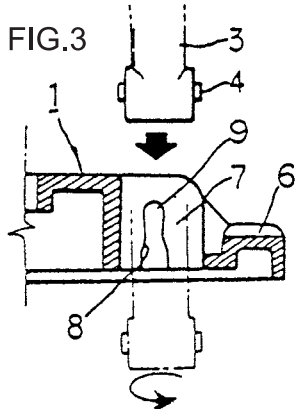


FIG.4

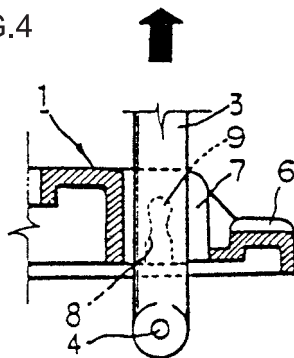


FIG.5

